

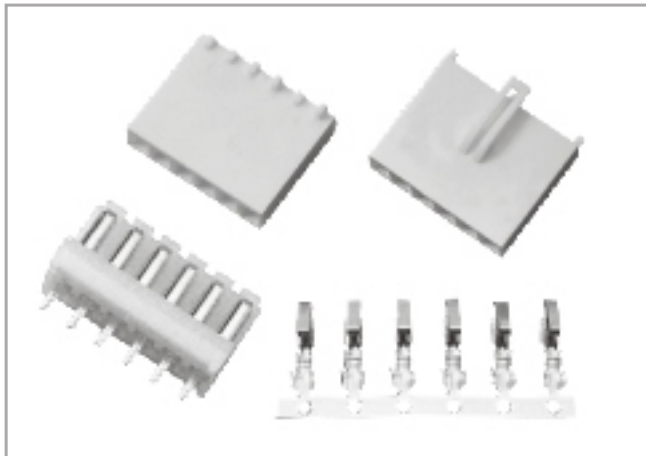
(90331)



3.96

mm 间距 CS39608 型条形连接器

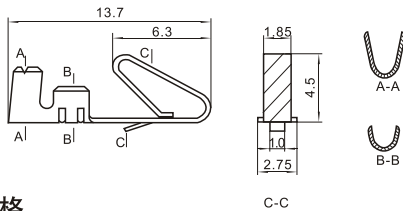
PRESSURE WELDING BAR CONNECTOR



### ■ 技术参数 SPECIFICATIONS

- ▶ 线数 (Poles) : 6(P8, P9)
- ▶ 适用线规 (Applicable wires) : AWG24#~18#
- ▶ 适应基板厚度 (Applicable PC board thickness) : 1.6mm
- ▶ 温度范围 (Temperature range) : -25℃~+85℃
- ▶ 额定电压 (Voltage rating) : 250V.AC/DC
- ▶ 额定电流 (Current rating) : 5A (board thickness) : 1.6mm
- ▶ 接触电阻 (Contact resistance) :  $\leq 0.01\Omega$
- ▶ 绝缘电阻 (Insulation resistance) :  $\geq 1000M\Omega$
- ▶ 耐压 (Withstand voltage) : 1500V.AC/1分钟 (Minute)
- ▶ 材料 (Material) :
  - 插头 (Housing) : 尼龙 (Nylon) UL94V-0
  - 插座 (Socket) : 尼龙 (Nylon) UL94V-0
  - 端子 (Terminal) : 磷青铜 (Phos.bronze Tin/plated)

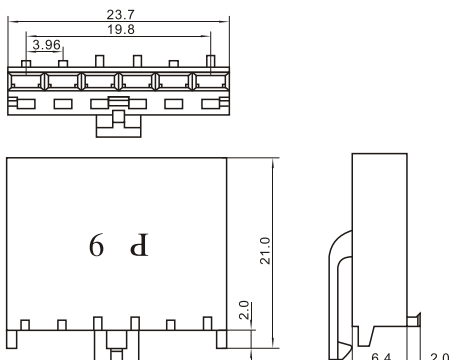
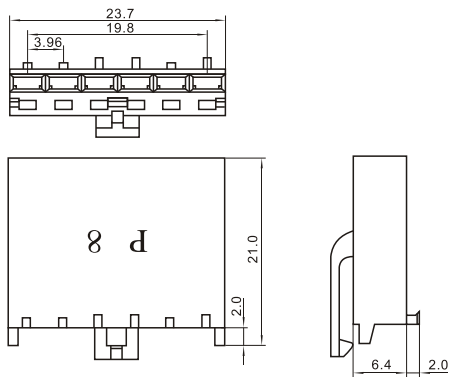
### 端子 Terminal



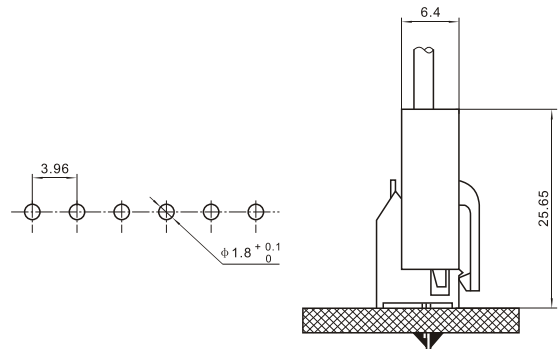
### 端子型号规格 Terminal specification and type

型号 Type	适用线规 Applicable wires		电线外径 O.D of wire ins
	mm <sup>2</sup>	AWG#	mm
CS39608-DY-001T	0.2~0.75	24~18	1.7~2.8

### 插头 Housing



### ■ 安装尺寸 MOUNTING MEASUREMENT



### 插座 Socket

